




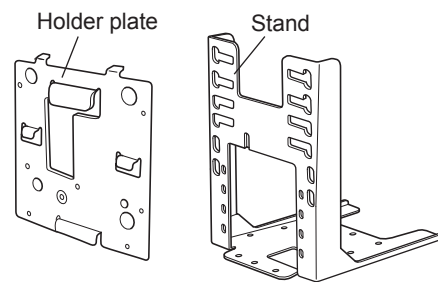
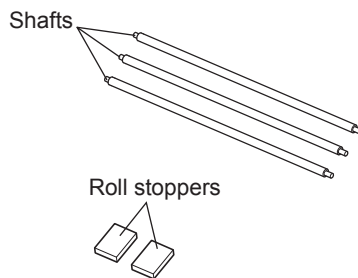
Attaching the TSP800II Vertical Stand

1. Unpacking : Confirm that all accessories are included.

 $\phi 3 \times 12$ screws (4)
<for attaching the holder plate>

 $\phi 3 \times 12$ screw [with flat washer] (1)
<for attaching the holder plate>

 $\phi 4 \times 8$ screws (2)
<for attaching the stand>



2. Attachment procedures :

Note: Ensure that power that is supplied to the printer and that all devices connected to the printer have been switched OFF and that the cables have been unplugged before starting the modification. If the AC adapter is connected to the printer, unplug it from the main socket.

The base for setting the stand should be within a range of $\pm 2^\circ$ in reference to the horizontal direction.

2-1. Attaching the shafts

Attach the three shafts.

Push in the left and right ends of the shafts.

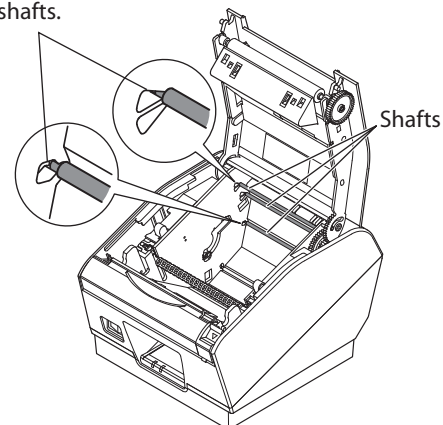


fig.1 Attaching the shafts

2-2. Attaching the roll stoppers

Wipe the area into which the roll stoppers will be affixed in order to remove any grime; then, affix the roll stoppers. The positions for affixing them will vary depending on the paper width.

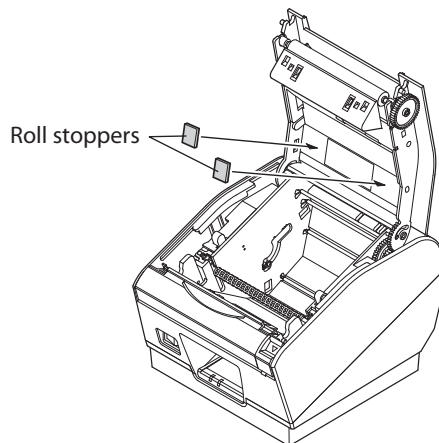


fig.2 Attaching the roll stoppers

2-3. Removing the tension bar unit

Use a small slot screwdriver to remove the clips at both ends of the bar to remove the tension bar unit.

Note: If the paper thickness is less than 100 μ m, you do not need to remove the tension bar unit.

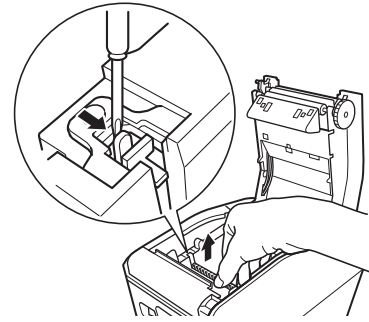


fig.3 Removing the tension bar unit

2-4. Attaching the holder plate

① Remove the screw from the printer as shown in the illustration.

② Attach the holding plate to the printer. Then tighten the four $\phi 3$ screws that were supplied to secure it in place.

The screw fitted with a flat washer is to be used in the place from which the screw was previously removed.

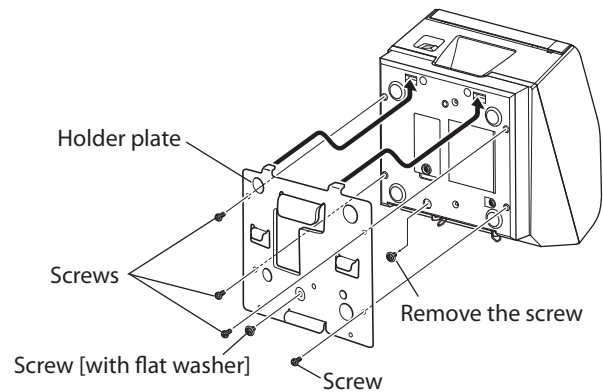


fig.4 Attaching the holder plate

2-5. Setting the printer on the stand

① Insert the two hooks on the holding plate through the two holes on the stand. Four different positions are available for insertion, so select the required position accordingly.

② Once the hooks have been inserted into the holes, fix the printer onto the stand with the two screws.

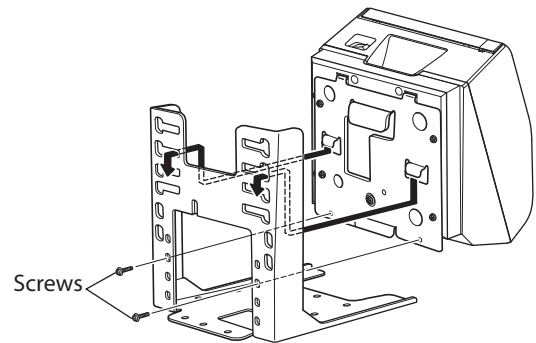


fig.5 Setting the printer on the stand

2-6. Setting the roll paper in place

① Push the cover open lever, and open the printer cover.

② Insert the roll paper as shown.

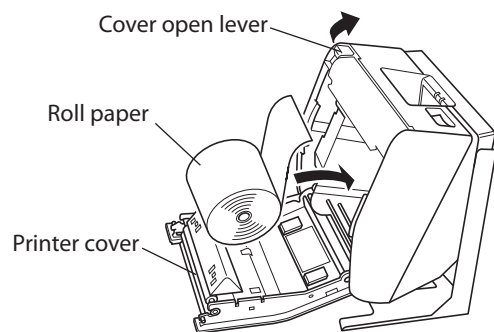


fig.6 Setting the roll paper in place